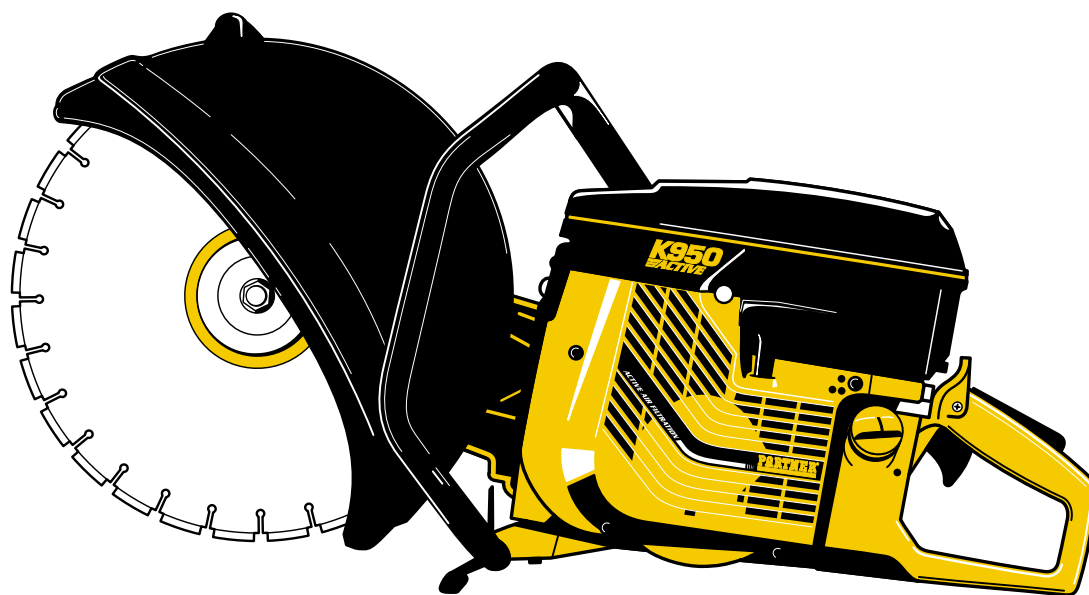


PARTNER

Illustrated Parts List 2000-05 CD

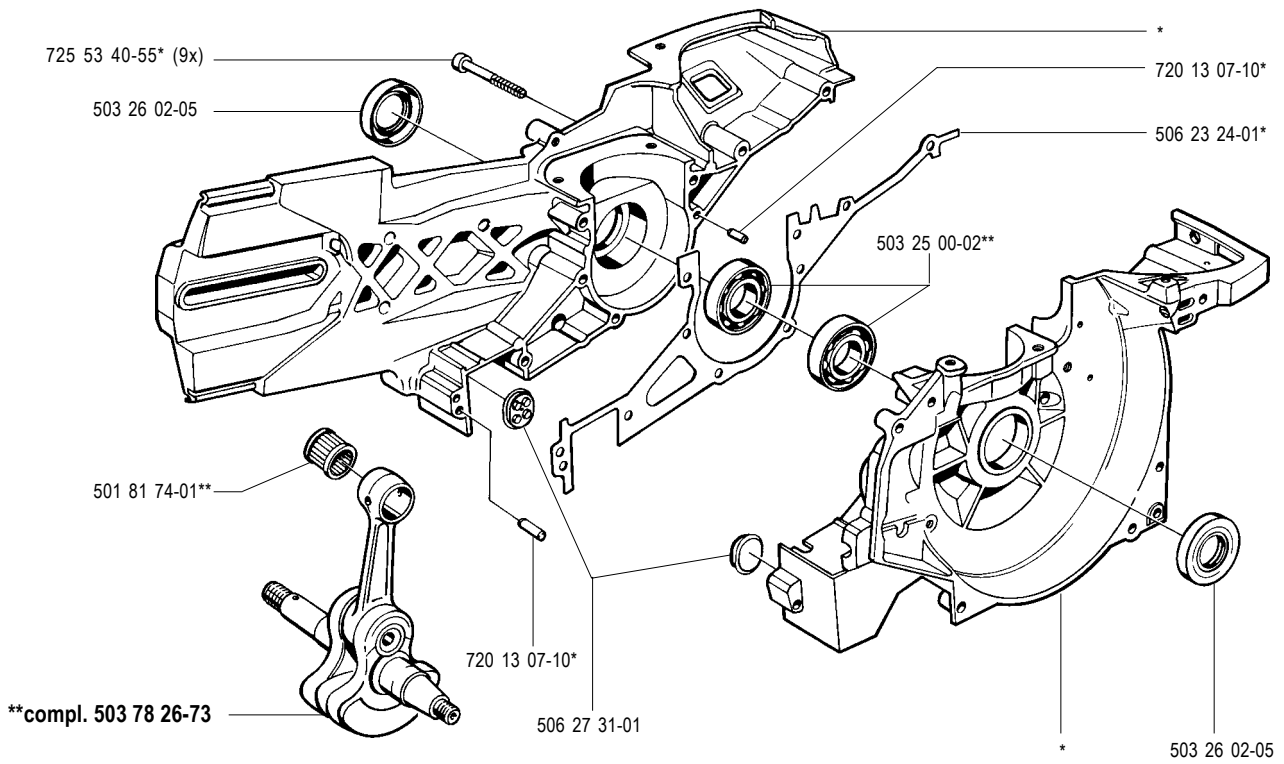
K950 ACTIVE 1998-2000



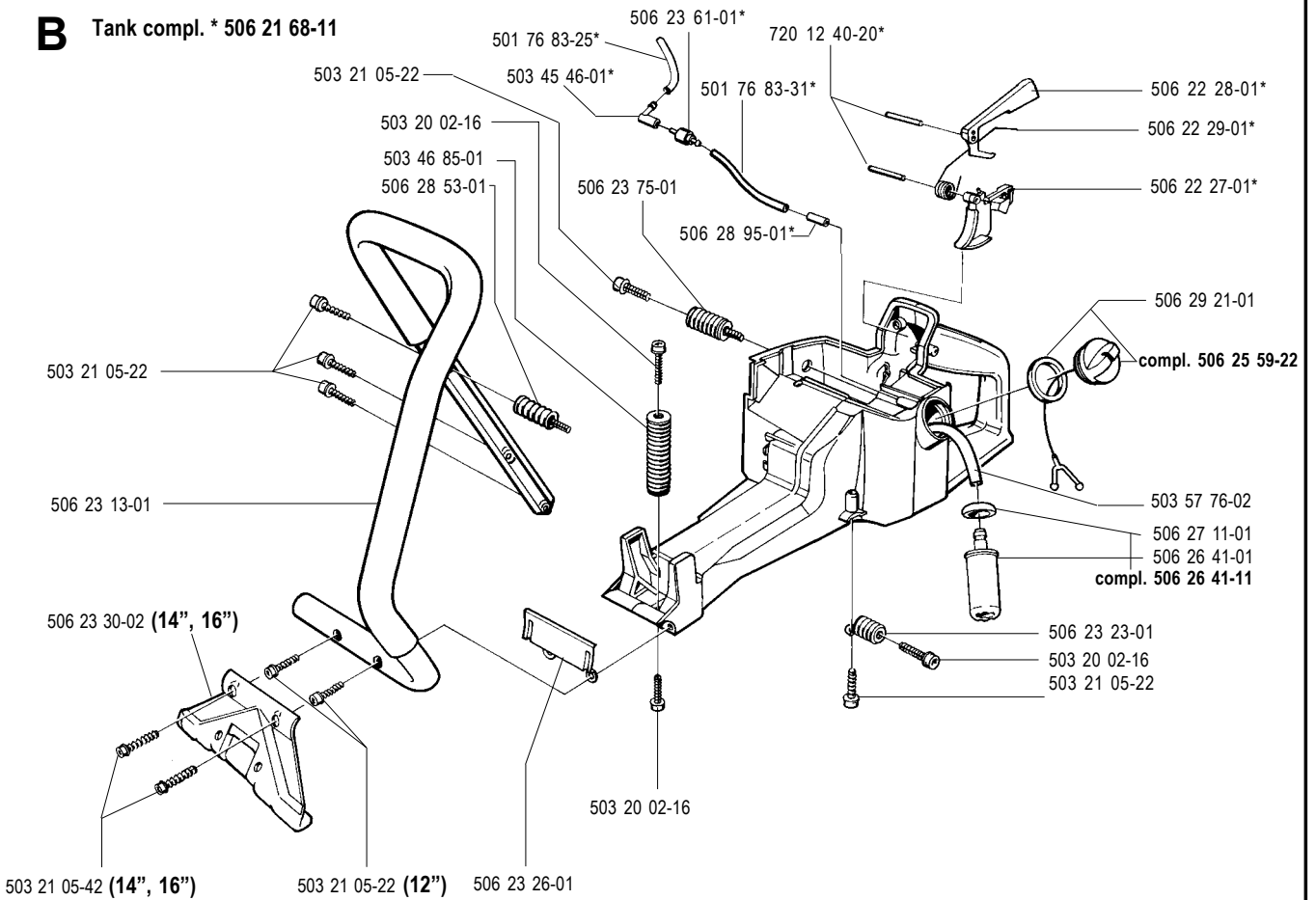
108 30 00-50

PARTNER[®]

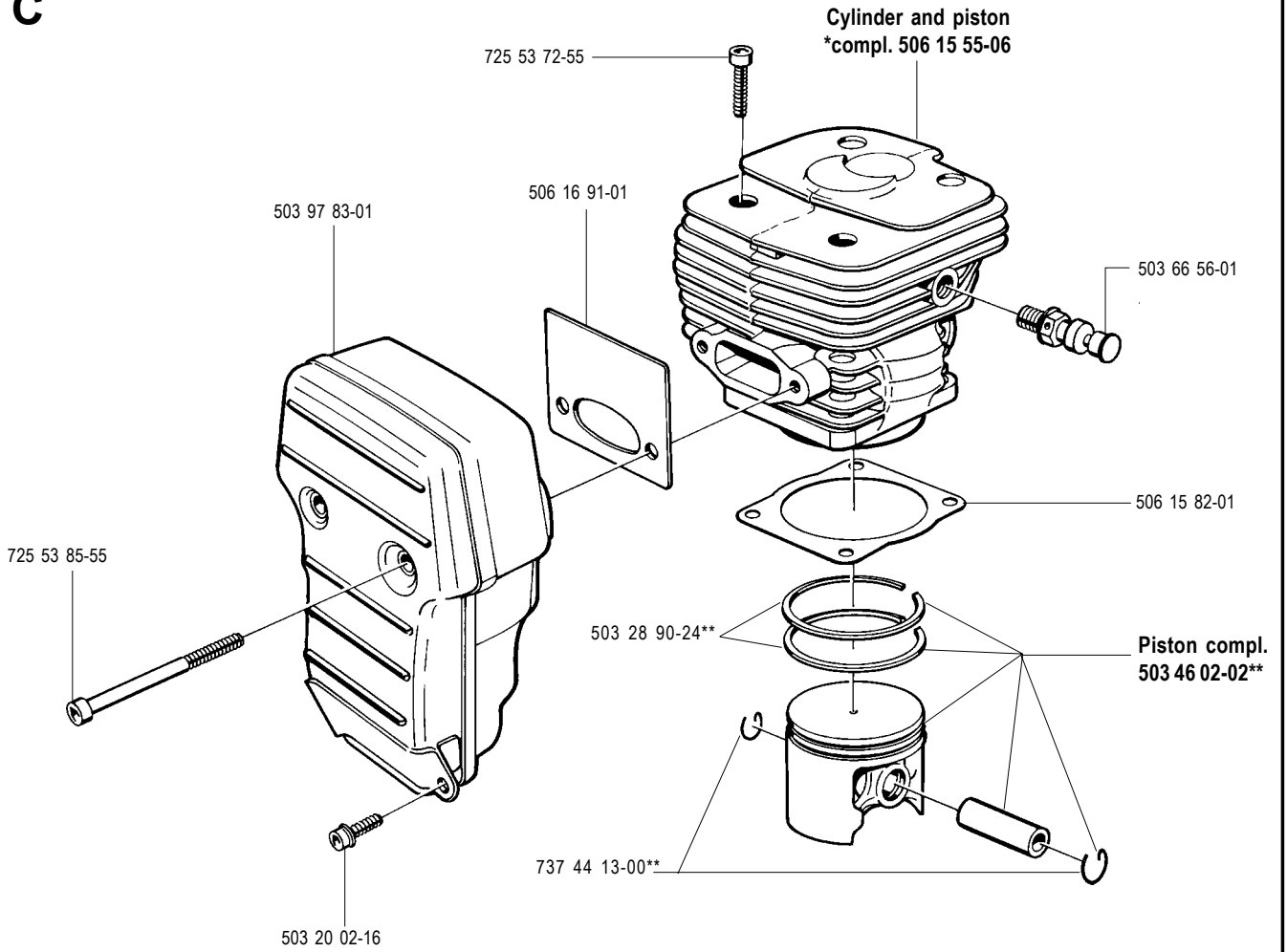
A *Crankcase compl. 506 23 33-02



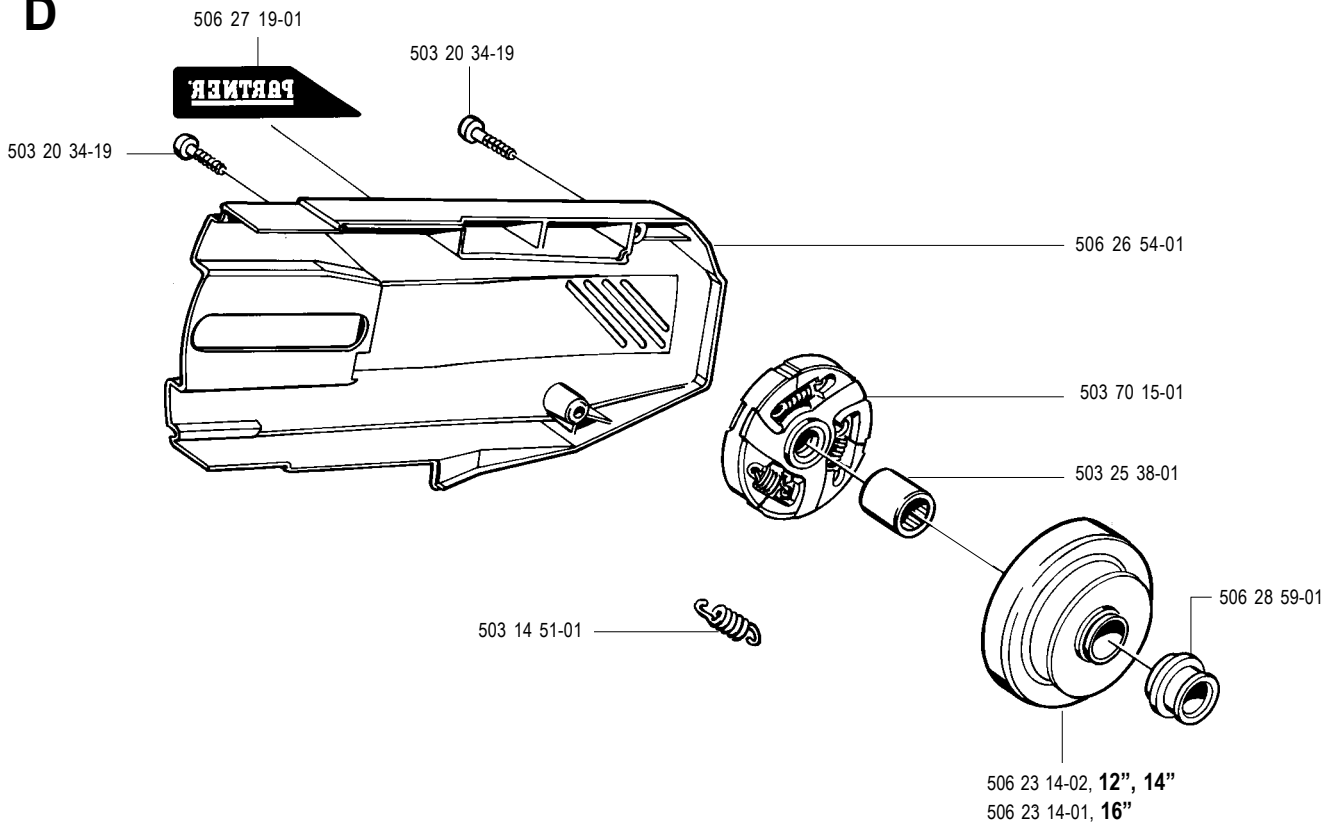
B Tank compl. * 506 21 68-11



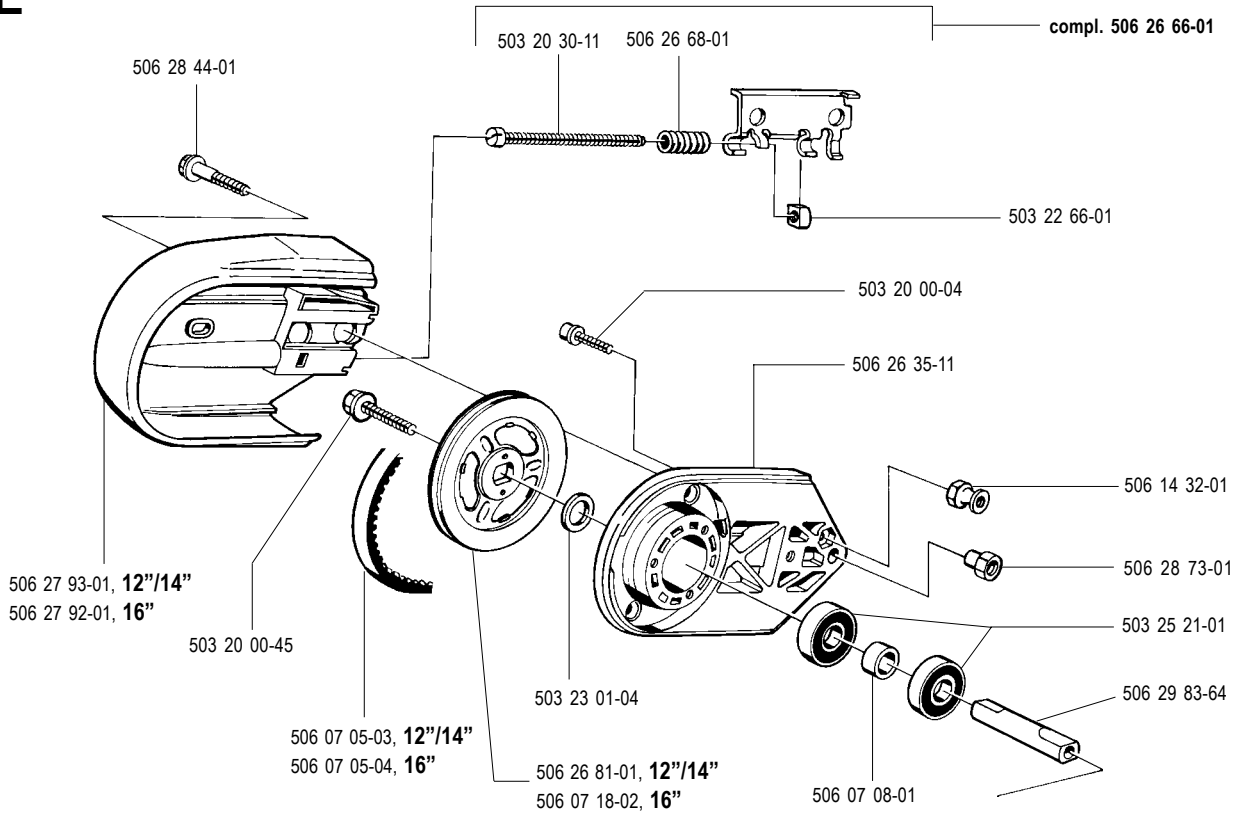
C



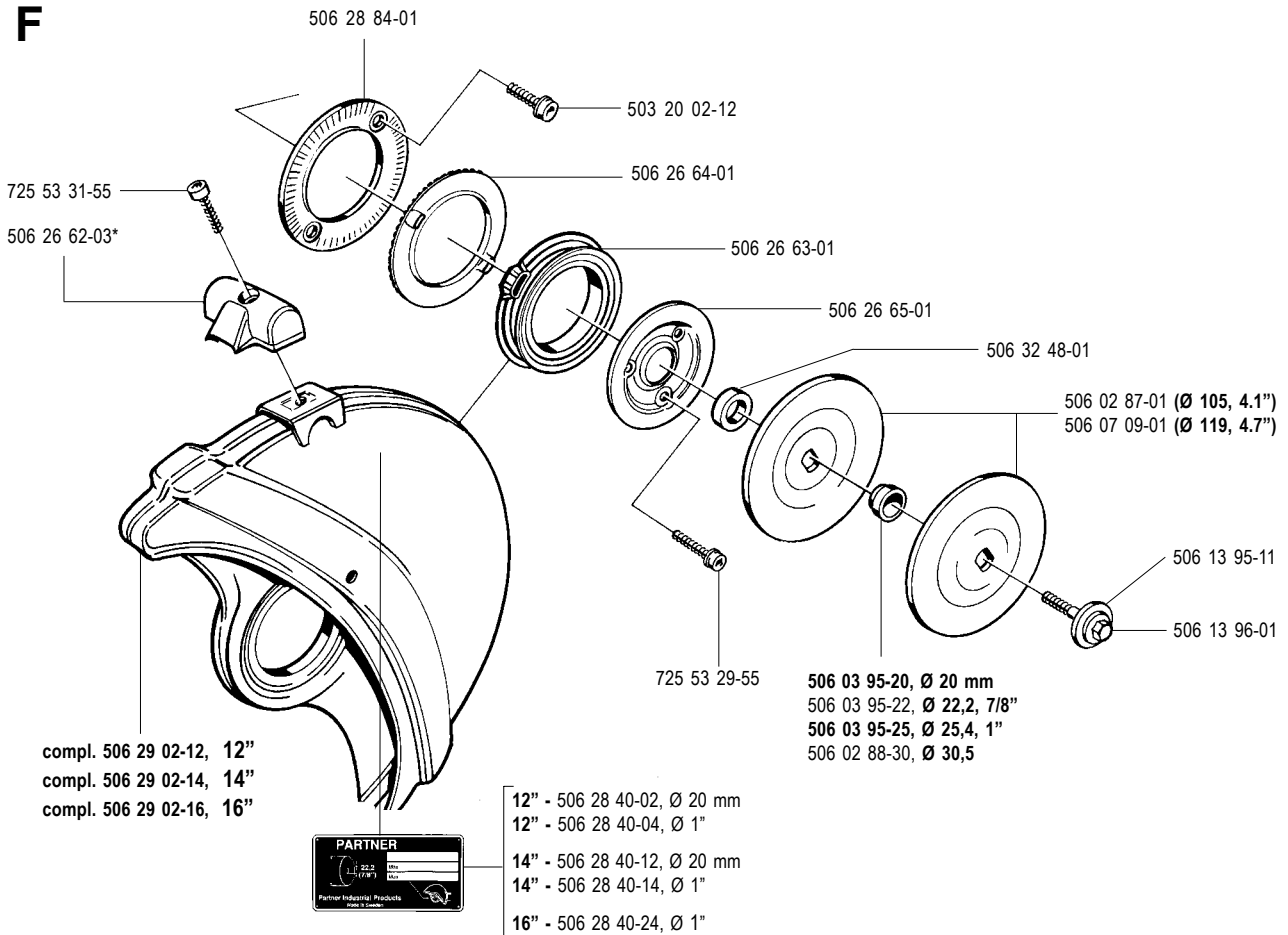
D



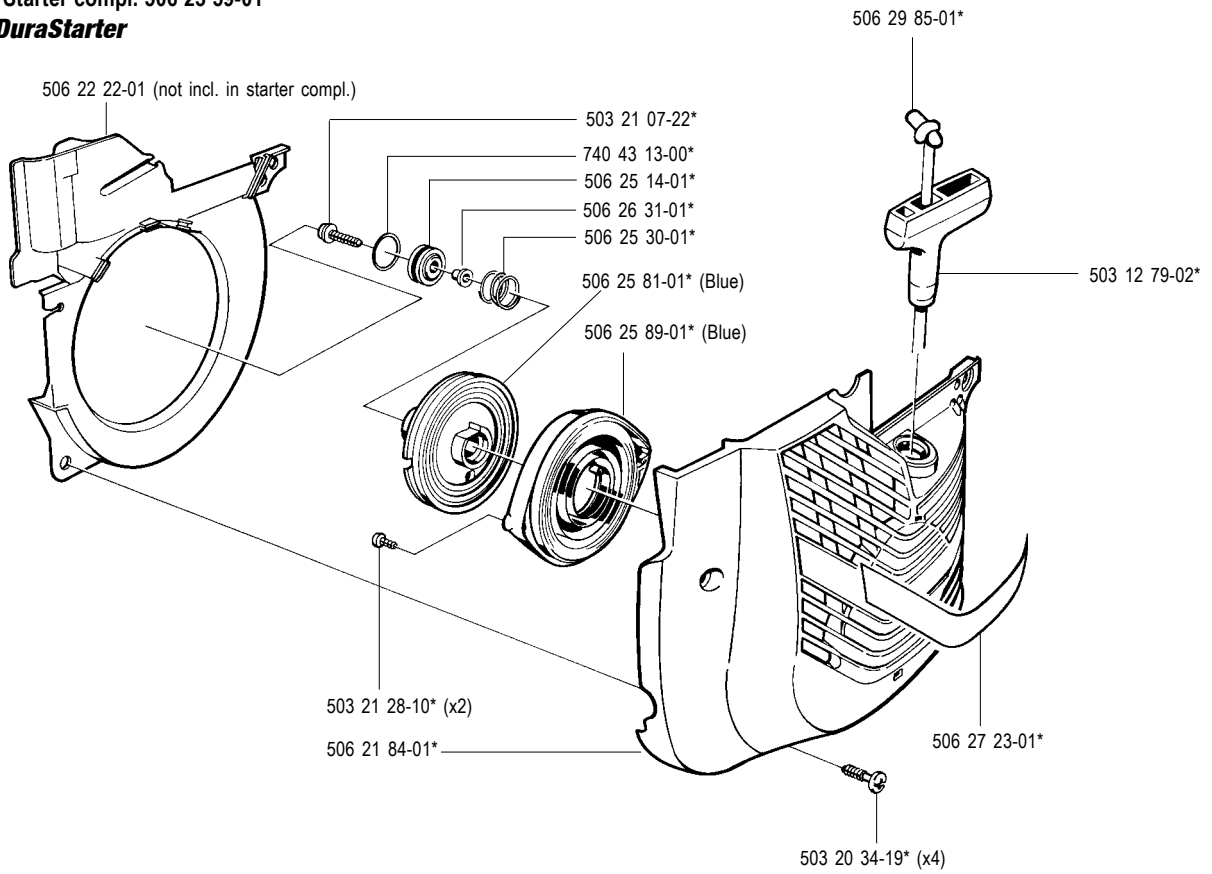
E



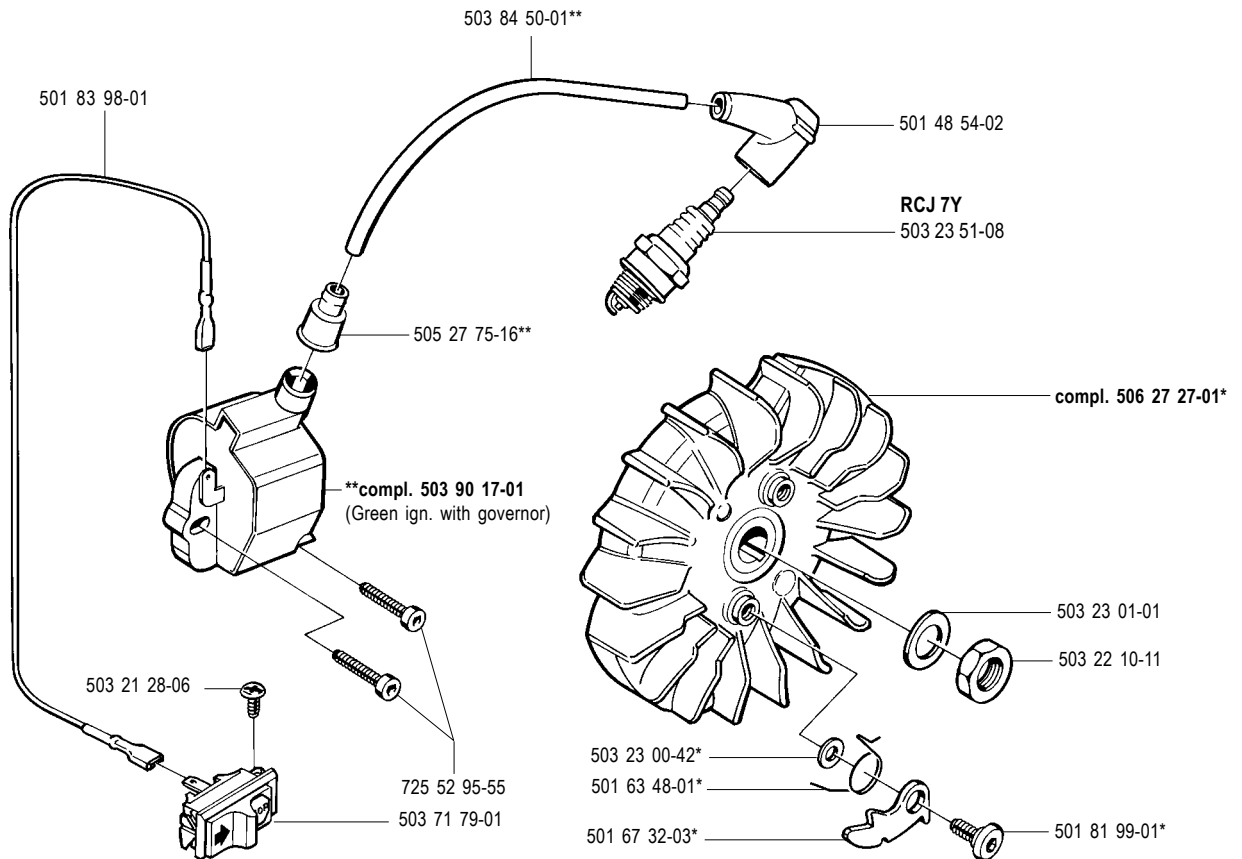
F



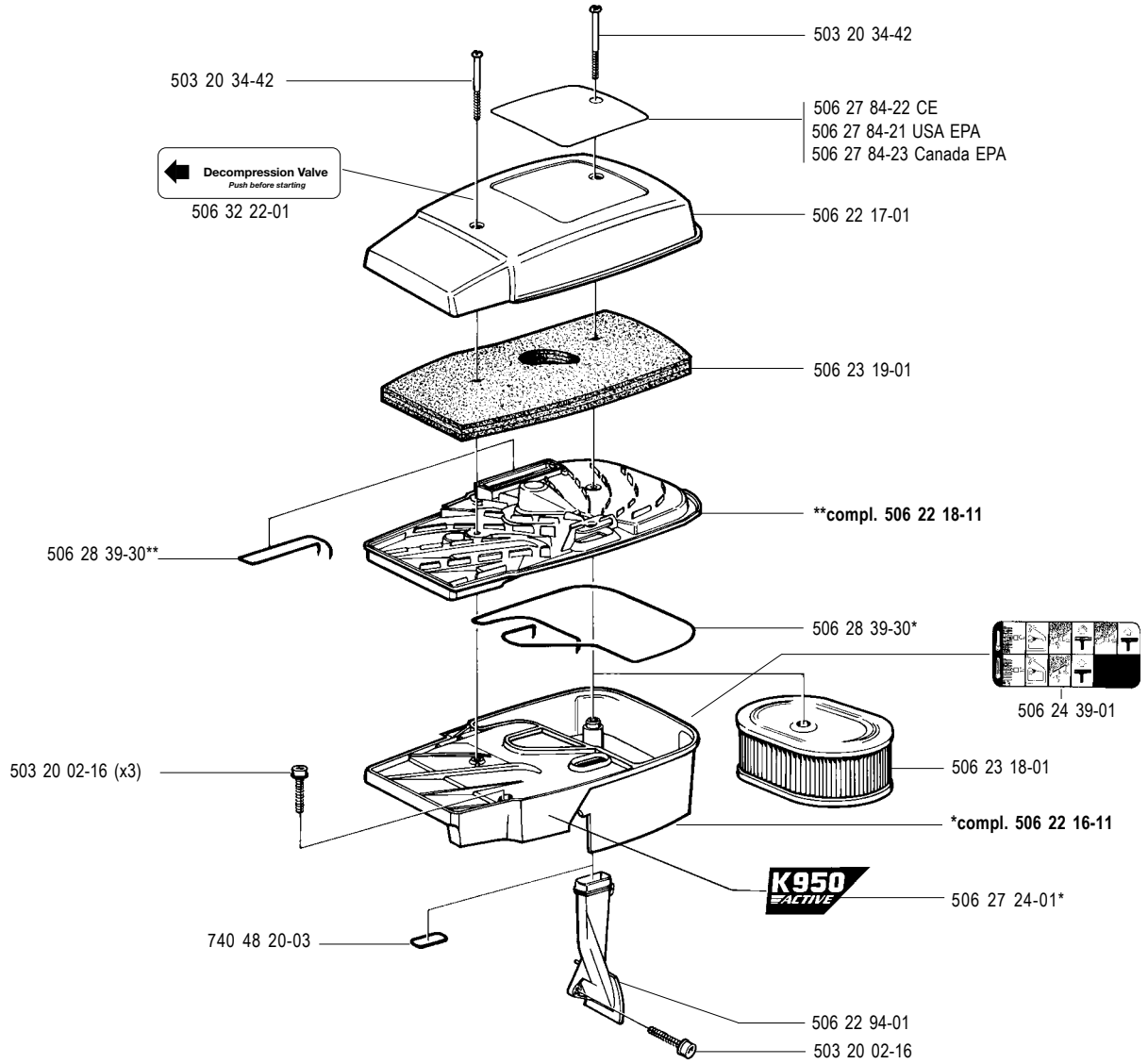
G *Starter compl. 506 23 59-01
DuraStarter



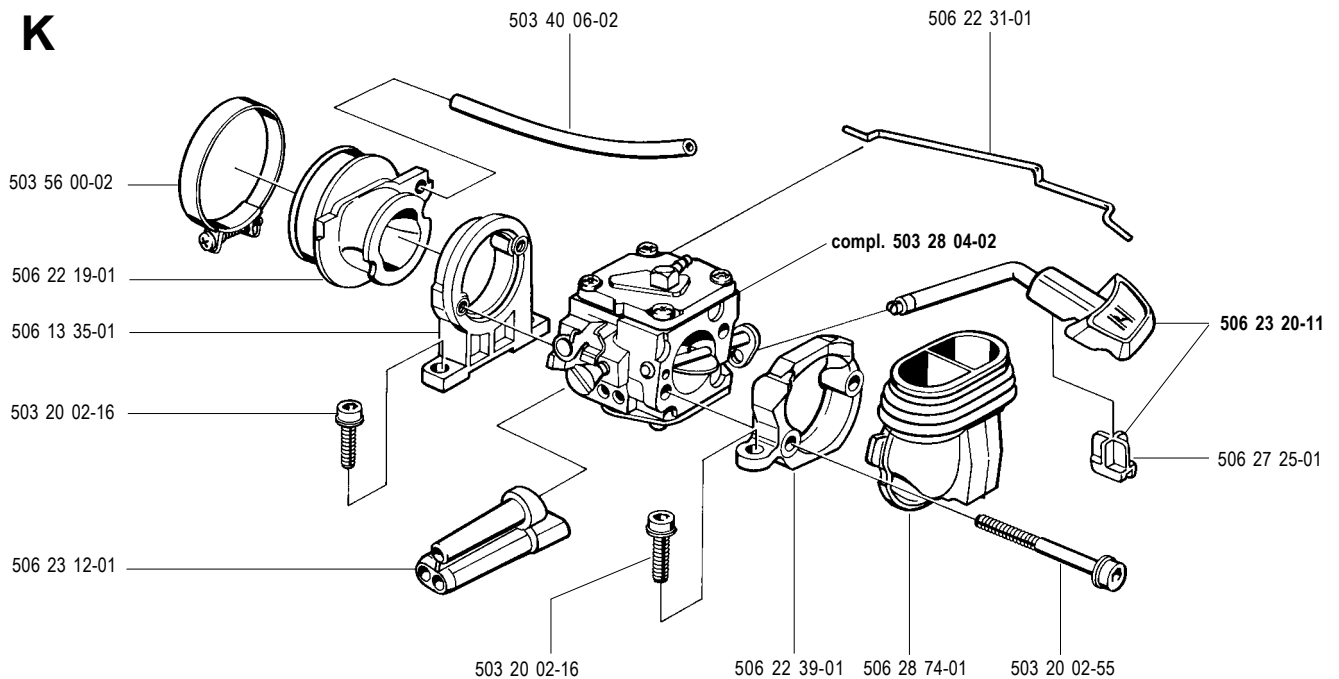
H



J



K



L Compl. 503 28 04-02 - Fixed Jets, "EPA"
Tillotson HS 282A "SmartCarb"

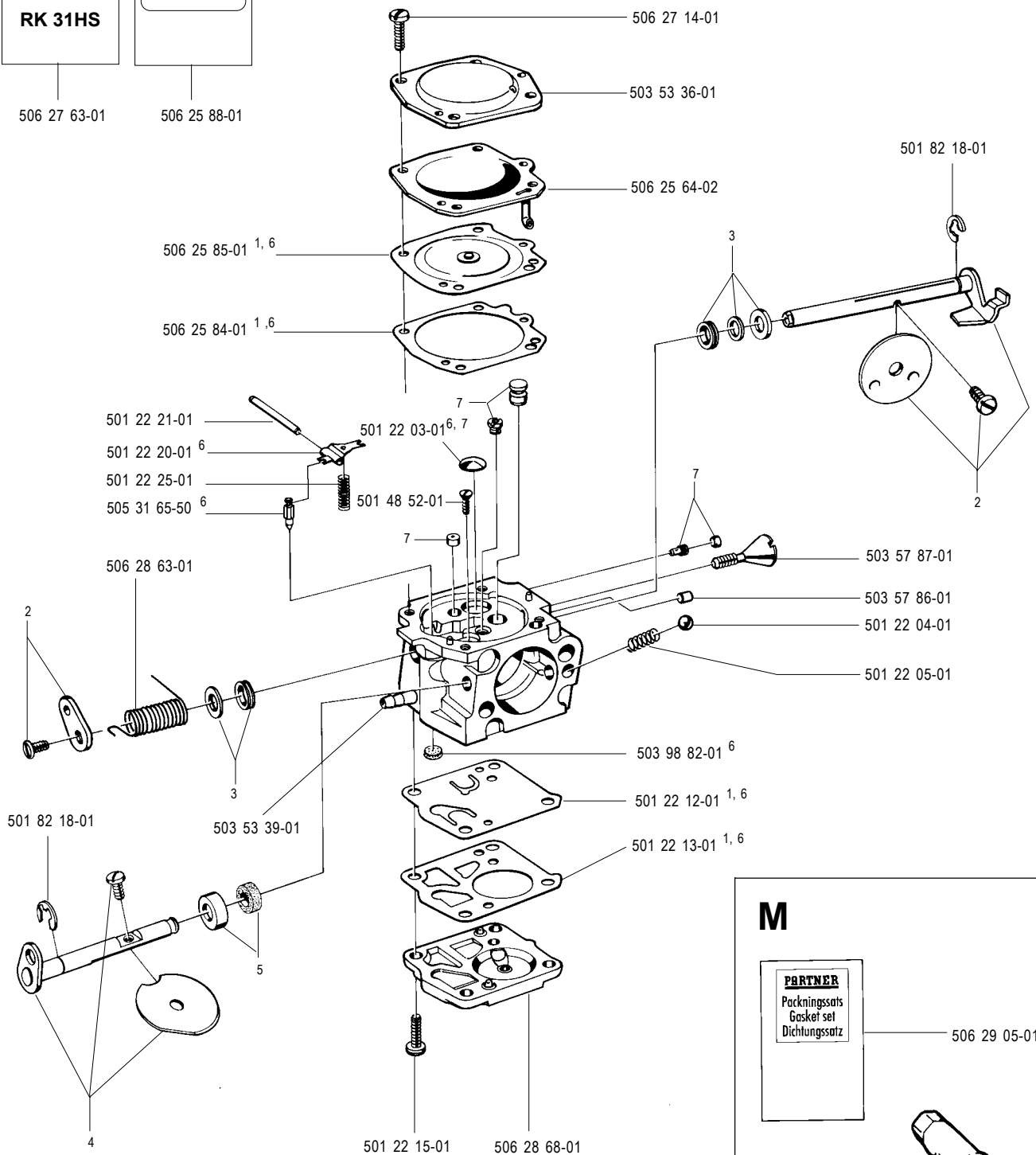
- 1 kit 506 25 88-01
- 2 kit 506 29 09-01
- 3 kit 506 29 10-01
- 4 kit 506 29 11-01
- 5 kit 506 29 12-01
- 6 kit 506 27 63-01
- 7 kit 506 29 13-01

Repair kit
RK 31HS

Diaphragm and gasket set

506 27 63-01

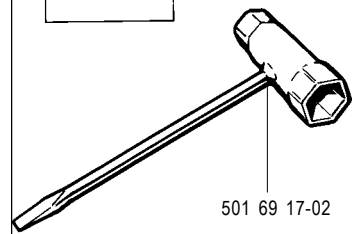
506 25 88-01



M

PARTNER
Packingsatz
Gasket set
Dichtungssatz

506 29 05-01



501 69 17-02

No.	Pos.	Denomination	No.	Pos.	Denomination	No.	Pos.	Denomination
501 22 03-01	L	Welch plug	505 27 75-16	H	Insulating cap	506 26 65-01	F	Flange
501 22 04-01	L	Ball	505 31 65-50	L	Inlet needle	506 26 66-01	E	Tensioner
501 22 05-01	L	Spring	506 02 87-01	F	Washer	506 26 68-01	E	Spring
501 22 12-01	L	Fuel pump diaphragm	506 02 88-30	F	Bushing	506 26 81-01	E	Pulley
501 22 13-01	L	Gasket, pump side	506 03 95-20	F	Bushing			
			506 03 95-22	F	Bushing	506 27 11-01	B	Fuel filter weight
501 22 15-01	L	Screw	506 03 95-25	F	Bushing	506 27 14-01	L	Screw
501 22 20-01	L	Lever	506 07 05-03	E	Belt	506 27 19-01	D	Decal
501 22 21-01	L	Shaft	506 07 05-04	E	Belt	506 27 23-01	G	Decal
501 22 25-01	L	Spring	506 07 08-01	E	Spacer	506 27 24-01	J	Decal
501 48 52-01	L	Screw						
			506 07 09-01	F	Washer	506 27 25-01	K	Protector
501 48 54-02	H	Spark plug conn. kit	506 07 18-02	E	Pulley	506 27 27-01	H	Flywheel cpl
501 63 48-01	H	Spring	506 13 35-01	K	Bracket	506 27 31-01	A	Buffer
501 67 32-03	H	Pawl	506 13 95-11	F	Washer	506 27 63-01	L	Repair kit
501 69 17-02	M	Comb. tool	506 13 96-01	F	Screw	506 27 84-21	J	Label USA EPA
501 76 83-25	B	Hose						
			506 14 32-01	E	Catch	506 27 84-22	J	Label CE
501 76 83-31	B	Hose	506 15 55-06	C	Cylinder cpl	506 27 84-23	J	Label Canada EPA
501 81 74-01	A	Needle bearing	506 15 82-01	C	Gasket	506 27 92-01	E	Cover
501 81 99-01	H	Screw M5x14	506 16 91-01	C	Conductor	506 27 93-01	E	Cover
501 82 18-01	L	Retaining ring	506 21 68-11	B	Tank unit cpl	506 28 39-30	J	Sealing
501 83 98-01	H	Cable						
			506 21 84-01	G	Cover	506 28 40-02	F	Data plate 12" x 20mm
503 12 79-02	G	Starter handle	506 22 16-11	J	Cylinder cover	506 28 40-04	F	Data plate 12" x 1"
503 14 51-01	D	Clutch spring	506 22 17-01	J	Filter cover	506 28 40-12	F	Data plate 14" x 20mm
503 20 00-04	E	Screw M6SF 5x16	506 22 18-11	J	Filter base	506 28 40-14	F	Data plate 14" x 1"
503 20 00-45	E	Screw	506 22 19-01	J,K	Pipe	506 28 40-24	F	Data plate 16" x 1"
503 20 02-12	F	Screw						
			506 22 22-01	G	Air conductor	506 28 44-01	E	Bolt
503 20 02-16	B,C,J,K	Screw	506 22 27-01	B	Throttle trigger	506 28 53-01	B	Spring
503 20 02-55	K	Screw	506 22 28-01	B	Throttle lock	506 28 59-01	D	Spacer
503 20 30-11	E	Screw	506 22 29-01	B	Spring	506 28 63-01	L	Spring
503 20 34-19	D,G	Screw	506 22 31-01	K	Rod	506 28 68-01	L	Cover
503 20 34-42	J	Screw						
			506 22 39-01	K	Flange	506 28 73-01	E	Nut
503 21 05-22	B	Screw	506 22 94-01	J	Jet	506 28 74-01	K	Intake
503 21 05-42	B	Screw	506 23 12-01	K	Guide	506 28 84-01	F	Ratchet plate
503 21 07-22	G	Screw	506 23 13-01	D	Handle	506 28 95-01	B	Nipple
503 21 28-06	H	Screw	506 23 14-01	D	Wheel	506 29 02-12	F	Guard 12"
503 21 28-10	G	Screw						
			506 23 14-02	D	Wheel	506 29 02-14	F	Guard 14"
503 22 10-11	H	Lock nut M8x1	506 23 18-01	J	Air filter	506 29 02-16	F	Guard 16"
503 22 66-01	E	Nut	506 23 19-01	J	Filter	506 29 05-01	M	Gasket set
503 23 00-42	H	Washer	506 23 20-11	K	Choke control	506 29 09-01	L	Throttle shaft kit
503 23 01-01	H	Washer 8.4x16	506 23 23-01	B	Spring	506 29 10-01	L	Throttle shaft sealing kit
503 23 01-04	E	Washer 15x21						
			506 23 24-01	A	Gasket	506 29 11-01	L	Choke shaft kit
503 23 51-08	H	Spark plug RCJ7Y	506 23 26-01	B	Plate	506 29 12-01	L	Choke shaft sealing kit
503 25 00-02	A	Ball bearing 6203C3QE6	506 23 30-02	B	Support	506 29 13-01	L	Jets and plugs kit
503 25 21-01	E	Ball bearing	506 23 33-02	A	Crankcase cpl	506 29 21-01	B	Gasket
503 25 38-01	D	Needle bearing	506 23 59-01	G	Starter cpl	506 29 83-64	E	Arbor shaft
503 26 02-05	A	Sealing ring						
			506 23 61-01	B	Tank vent.	506 29 85-01	G	Starter rope
503 28 04-02	K	Carburettor	506 23 75-01	B	Spring	506 32 22-01	J	Decal "Decompression"
503 28 90-24	C	Piston ring	506 24 39-01	J	Decal "Starting"	506 32 48-01	F	Sleeve
503 40 06-02	K	Hose	506 25 14-01	G	Washer	720 12 40-20	B	Pin
503 45 46-01	B	Elbow	506 25 30-01	G	Spring	720 13 07-10	A	Pin
503 46 02-02	C	Piston cpl				725 52 95-55	H	Screw MC6S 4x20
			506 25 59-22	B	Tank cap			
503 46 85-01	B	Anti-vib element	506 25 64-02	L	Insert	725 53 29-55	F	Screw MC6S 5x16
503 53 36-01	L	Cover	506 25 81-01	G	Starter pulley	725 53 31-55	F	Screw MC6S 5x20
503 53 39-01	L	Nipple	506 25 84-01	L	Gasket	725 53 40-55	A	Screw MC6S 5x45
503 56 00-02	K	Clamp	506 25 85-01	L	Diaphragm	725 53 72-55	C	Screw MC6S 6x25
503 57 76-02	B	Hose				725 53 85-55	C	Screw MC6S 6x75
			506 25 88-01	L	Gasket set			
503 57 86-01	L	Ball	506 25 89-01	G	Return spring	737 44 13-00	C	Clip
503 57 87-01	L	Screw	506 26 31-01	G	Sleeve	740 43 13-00	G	O-ring
503 66 56-01	C	Valve	506 26 35-11	E	Housing	740 48 20-03	J	O-ring
503 70 15-01	D	Clutch cpl	506 26 41-01	B	Filter			
503 71 79-01	H	Stop switch						
			506 26 41-11	B	Fuel filter cpl.			
503 78 26-73	A	Crankshaft	506 26 54-01	D	Clutch cover			
503 84 50-01	H	Cable	506 26 62-03	F	Handle			
503 90 17-01	H	Ignition module	506 26 63-01	F	Lining			
503 97 83-01	C	Muffler	506 26 64-01	F	Ratchet plate			
503 98 82-01	L	Screen						